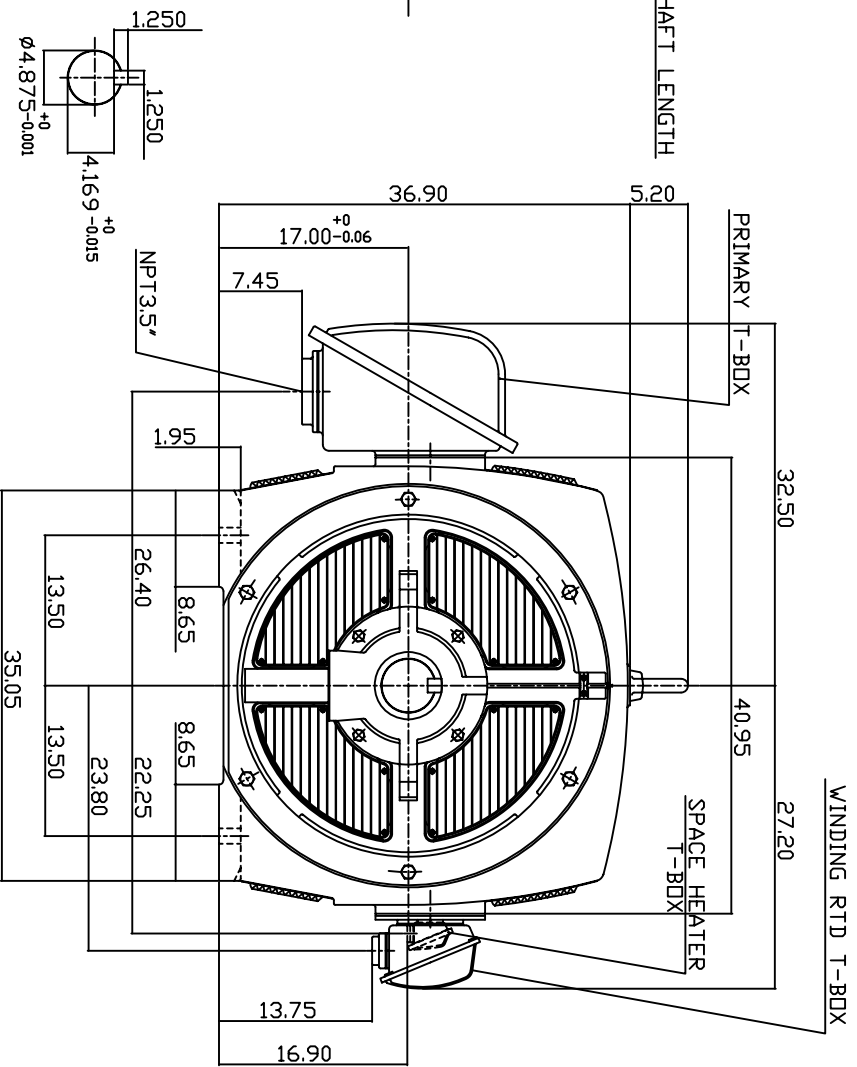
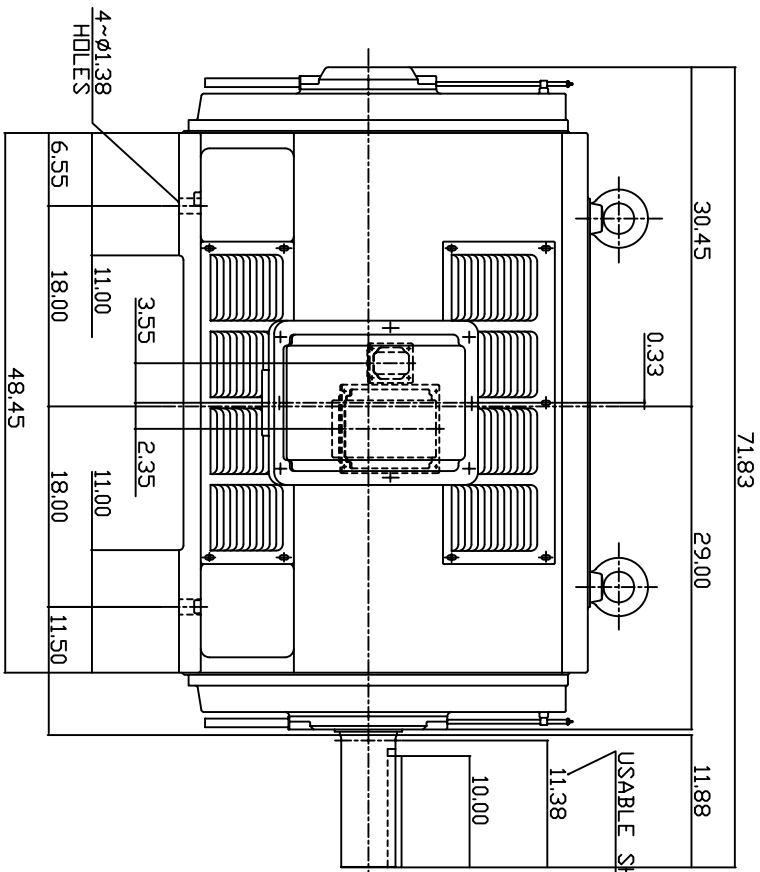


TYPE	OUTPUT		POLE	TIME RATING	VOLTAGE	Hz	SYN. SPEED R.P.M
	HP.	KW.					
ASHA-PA	700	522	8	CONT.	2300/4160	60	900

WEATHER PROTECTED TYPE I. SQUIRREL-CAGE ROTOR



- NOTE:
1. DIMENSIONS IN INCH.
  2. FRAME NO. 6808B
  3. F CLASS INSULATION, S.F.115
  4. FOR DIRECT DRIVE APPLICATIONS
  5. WITH SPACE HEATER 120 VOLT SINGLE PHASE 300 WATTS
  6. 100 DHM PLATINUM WINDING RTD'S 2/PHASE
  7. BEARING SIZE: DRIVE END: 6326  
NON-DRIVE END: 6322
  8. MOTOR APPROX. WEIGHT: 7300 LBS

TW-66C

DWN.	W.LLIN	APR-17-2003
CHKD.	W.LLIN	APR-17-2003
APPD.	C.WANG	APR-17-2003

DATE	MAY 6, 2004	OUTLINE DIMENSIONS
CATALOG NO.	P7008	3-PHASE INDUCTION MOTOR



DWG NO. 3A040T3902  
REV: 00